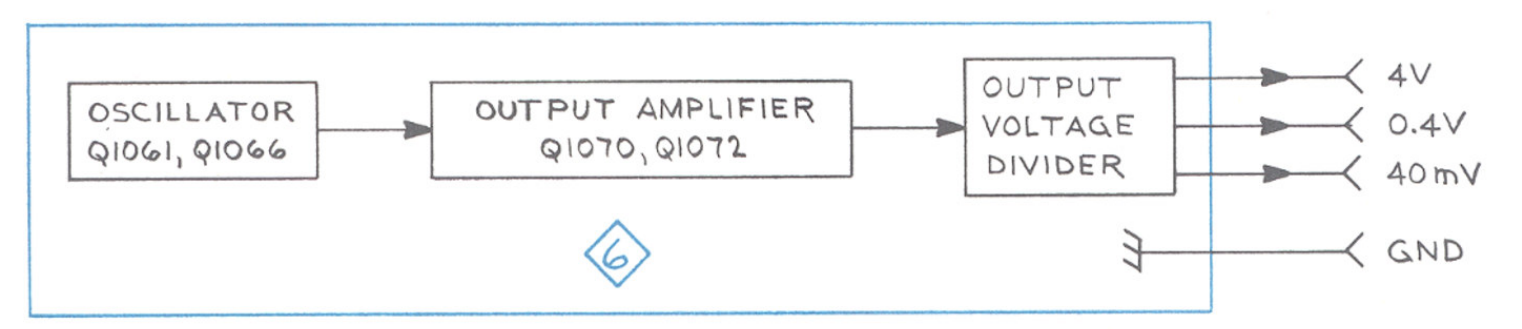
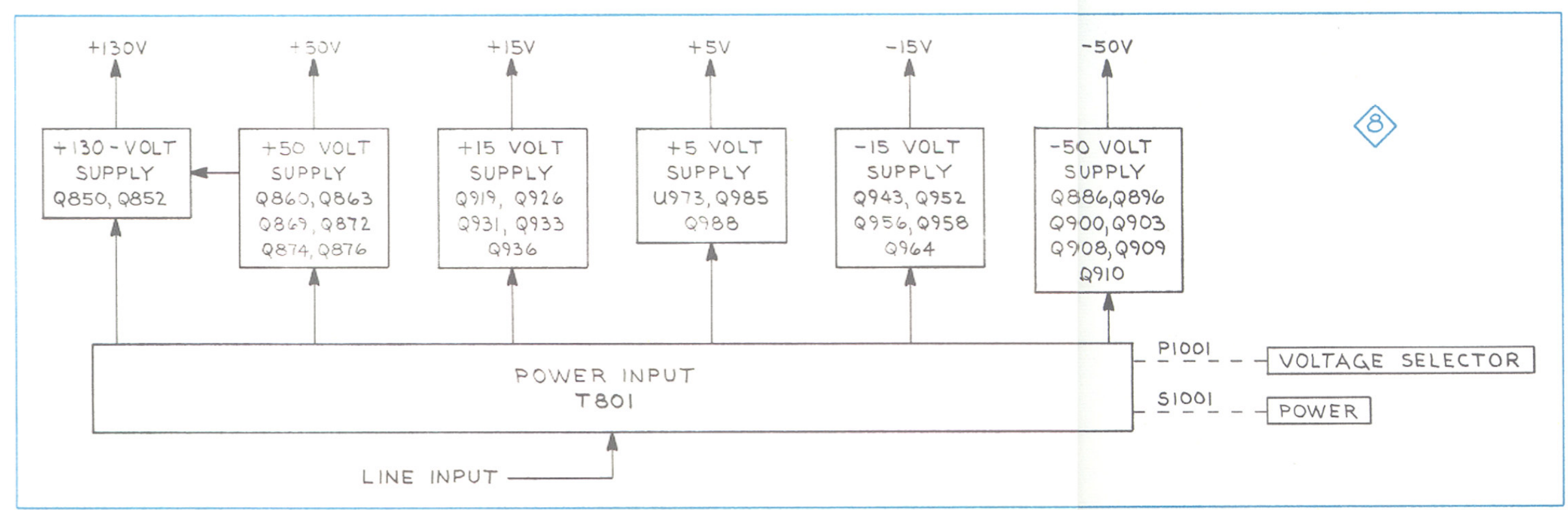


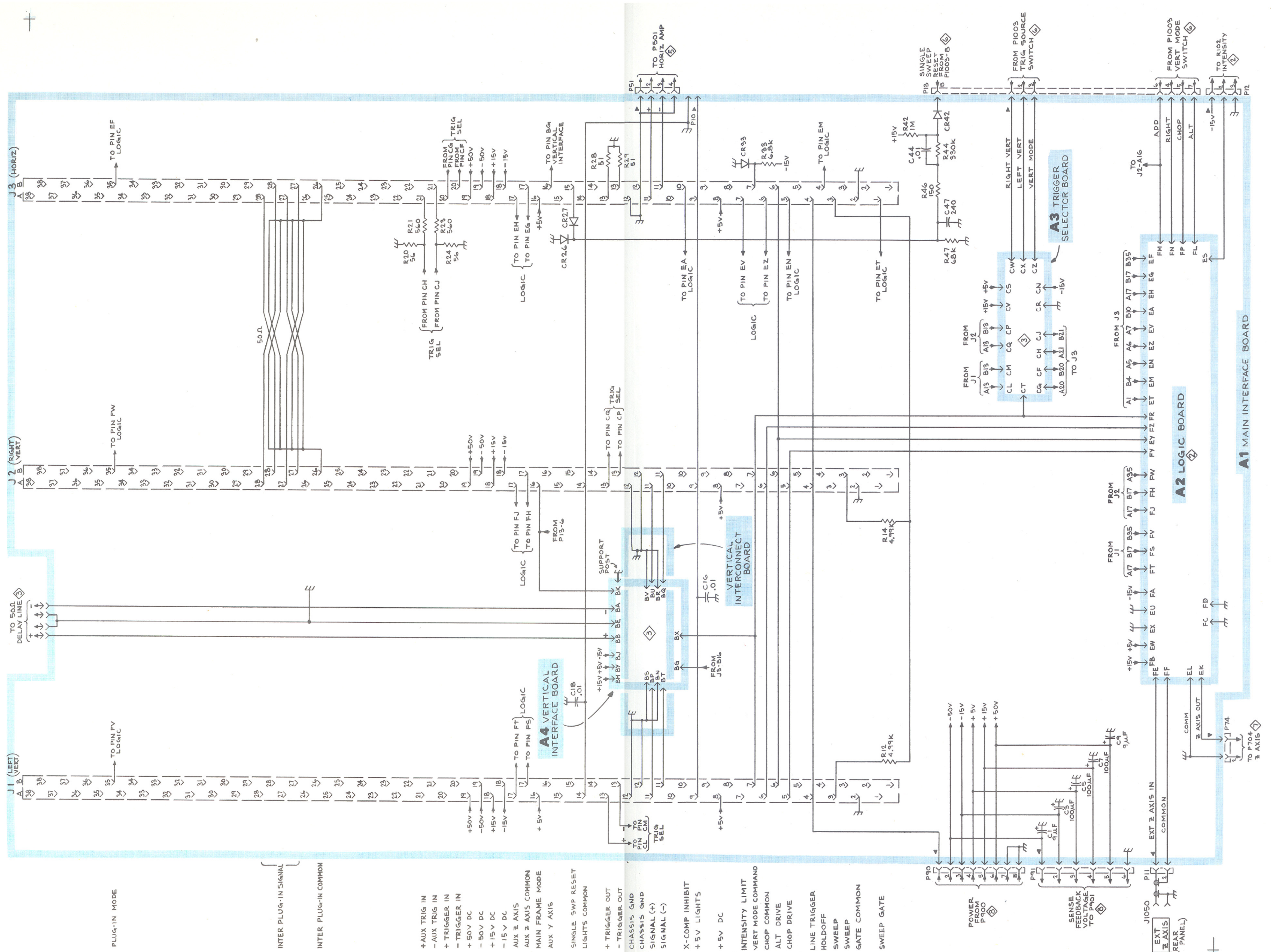
Z-AXIS INPUT



7403N

BLOCK DIAGRAM

mgf 0671



PLUG-IN MODE

INTER PLUG-IN SIGNAL

INTER PLUG-IN COMMON

+ AUX TRIG IN
 - AUX TRIG IN
 + TRIGGER IN
 - TRIGGER IN
 + 50V DC
 - 50V DC
 + 15V DC
 - 15V DC
 AUX Z AXIS
 AUX X AXIS COMMON
 MAIN FRAME MODE
 AUX Y AXIS

SINGLE SWP RESET LIGHTS COMMON

+ TRIGGER OUT
 - TRIGGER OUT
 CHASSIS GND
 CHASSIS GND
 SIGNAL (+)
 SIGNAL (-)

X-COMP INHIBIT + 5V LIGHTS

+ 5V DC

INTENSITY LIMIT
 VERT MODE COMMAND
 CHOP COMMON
 ALT DRIVE
 CHOP DRIVE

LINE TRIGGER
 HOLDOFF
 SWEEP
 SWEEP COMMON

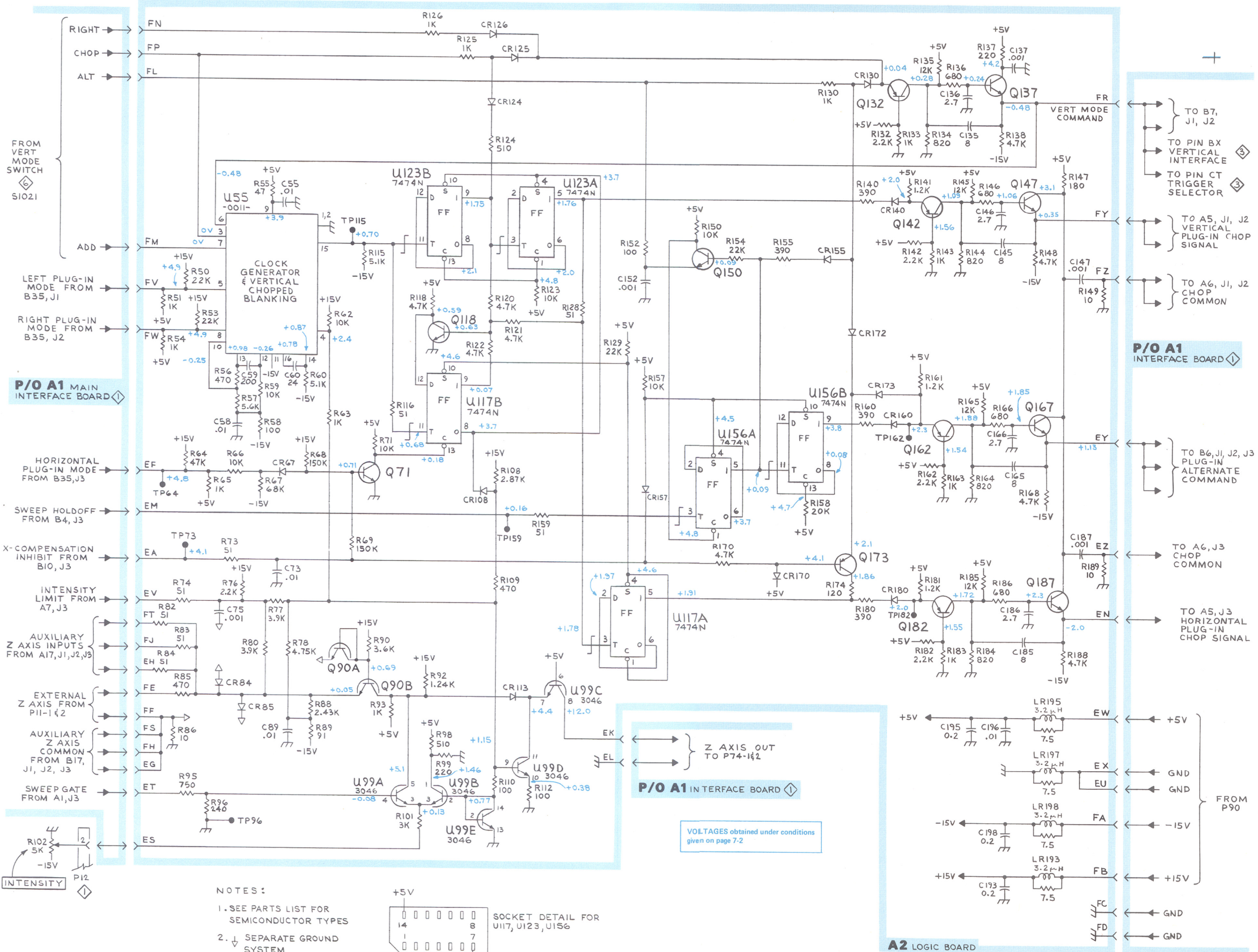
GATE COMMON

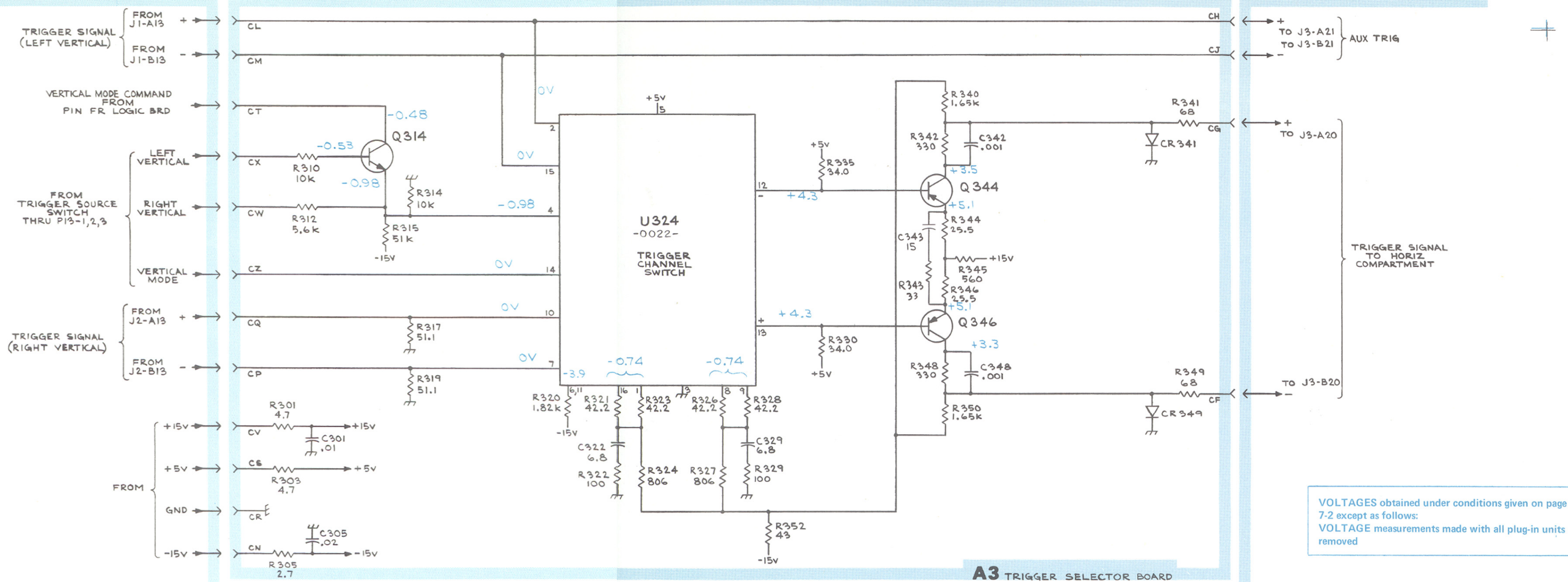
SWEEP GATE

POWER FROM P100

SENSE FEEDBACK FOR PAGE TO P101

J1050
 EXT Z AXIS IN
 COMMON
 EXT Z AXIS OUT
 COMMON
 TO P704
 Z AXIS

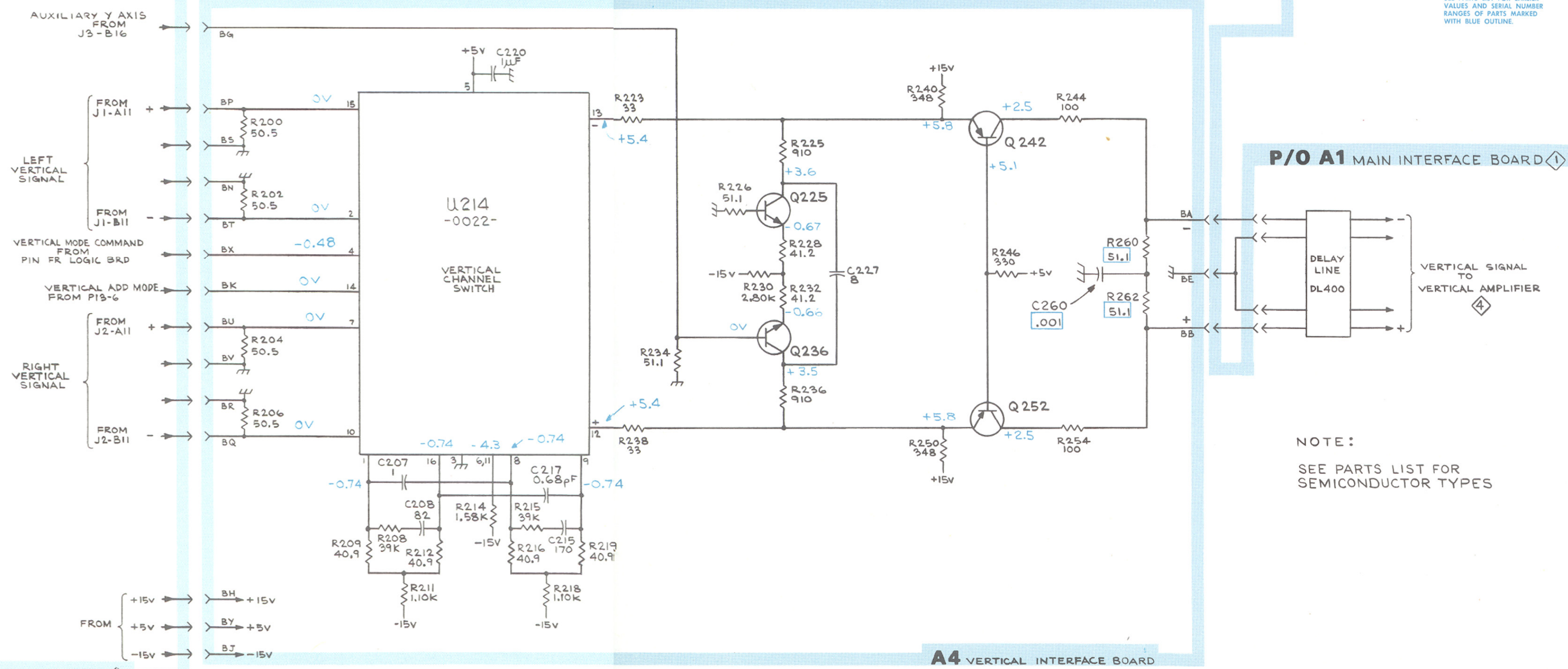




A3 TRIGGER SELECTOR BOARD

VOLTAGES obtained under conditions given on page 7-2 except as follows:
 VOLTAGE measurements made with all plug-in units removed

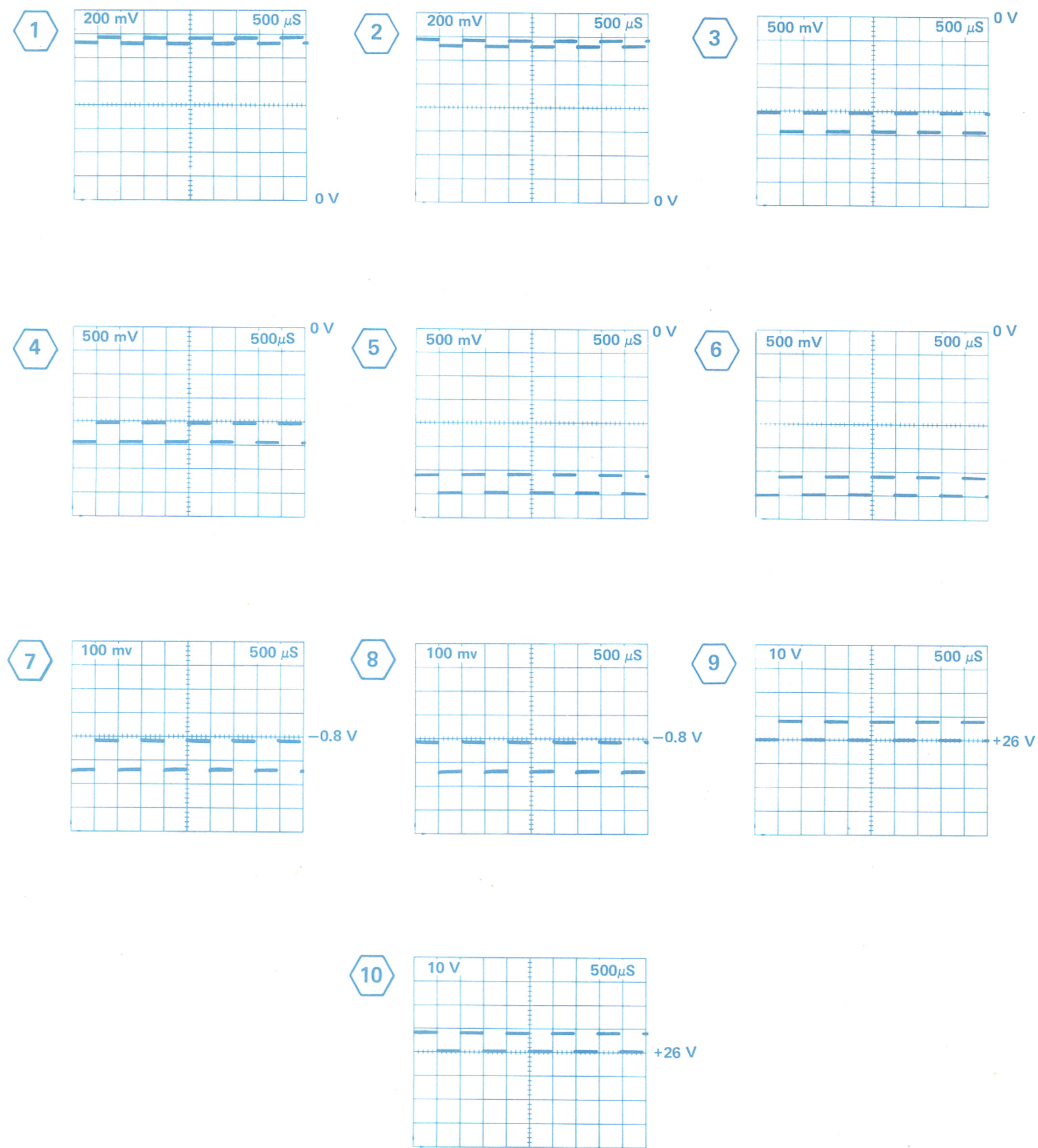
SEE PARTS LIST FOR EARLIER VALUES AND SERIAL NUMBER RANGES OF PARTS MARKED WITH BLUE OUTLINE.



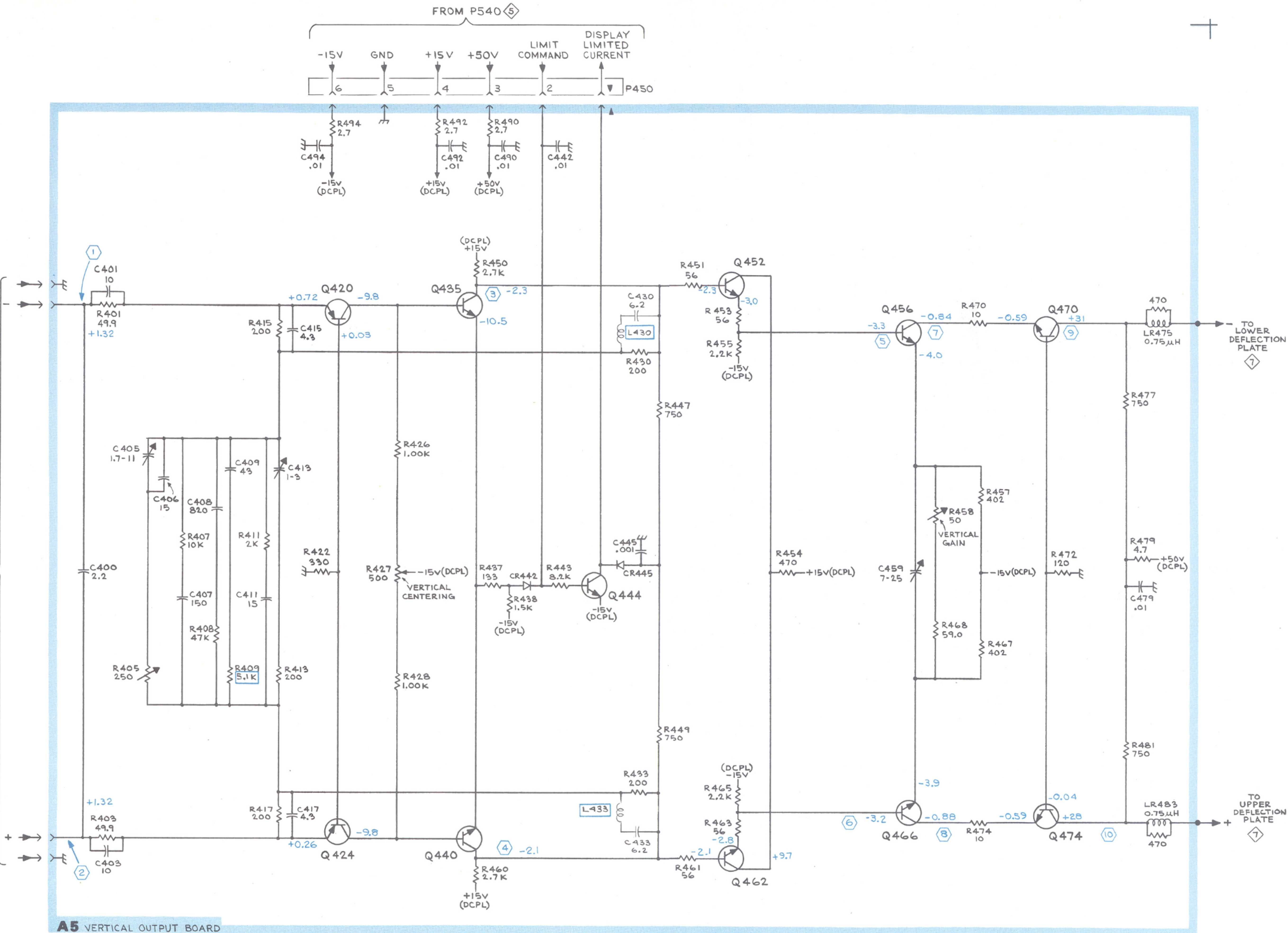
A4 VERTICAL INTERFACE BOARD

P/O A1 MAIN INTERFACE BOARD

NOTE:
 SEE PARTS LIST FOR SEMICONDUCTOR TYPES



VERTICAL SIGNAL FROM DELAY LINE

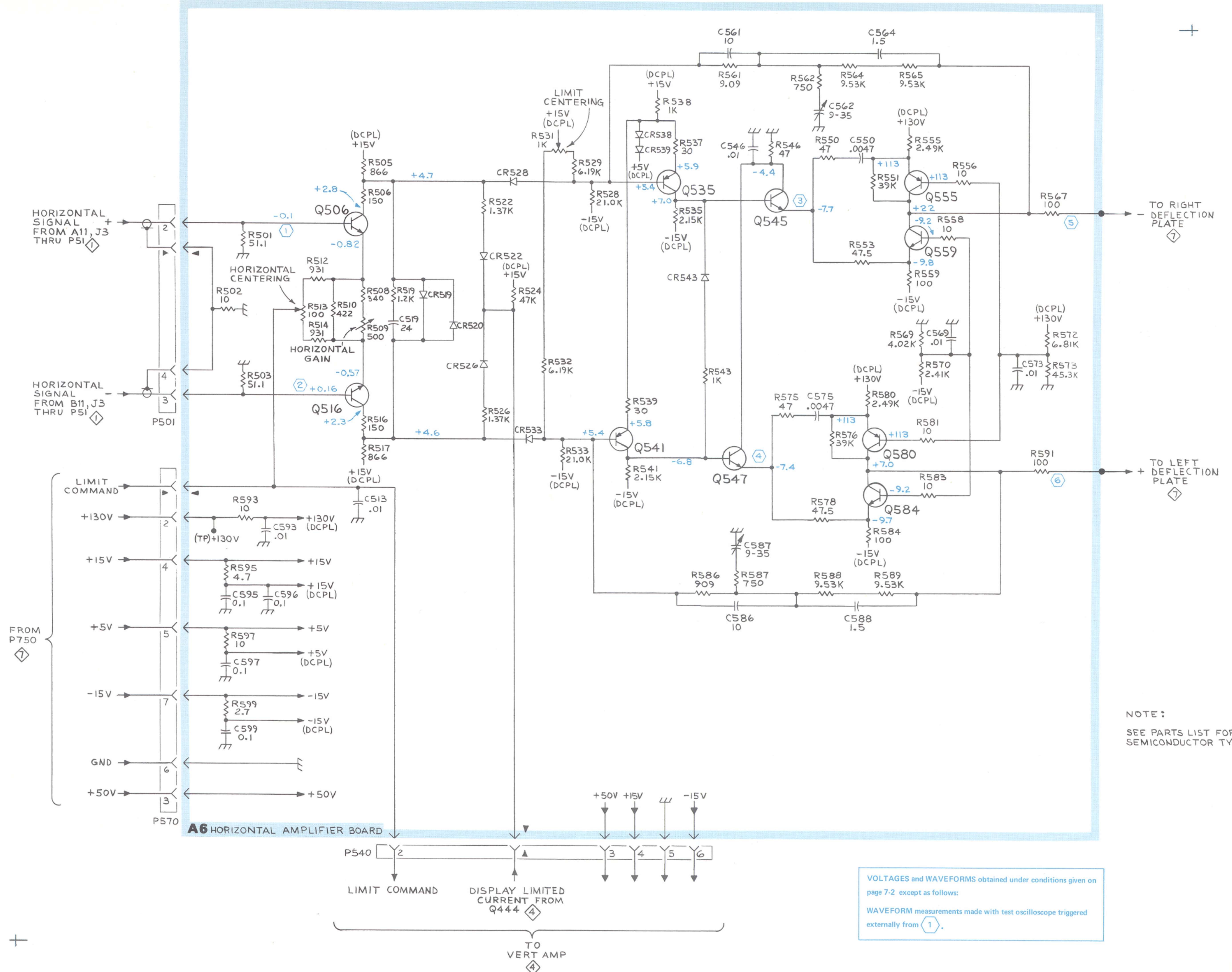
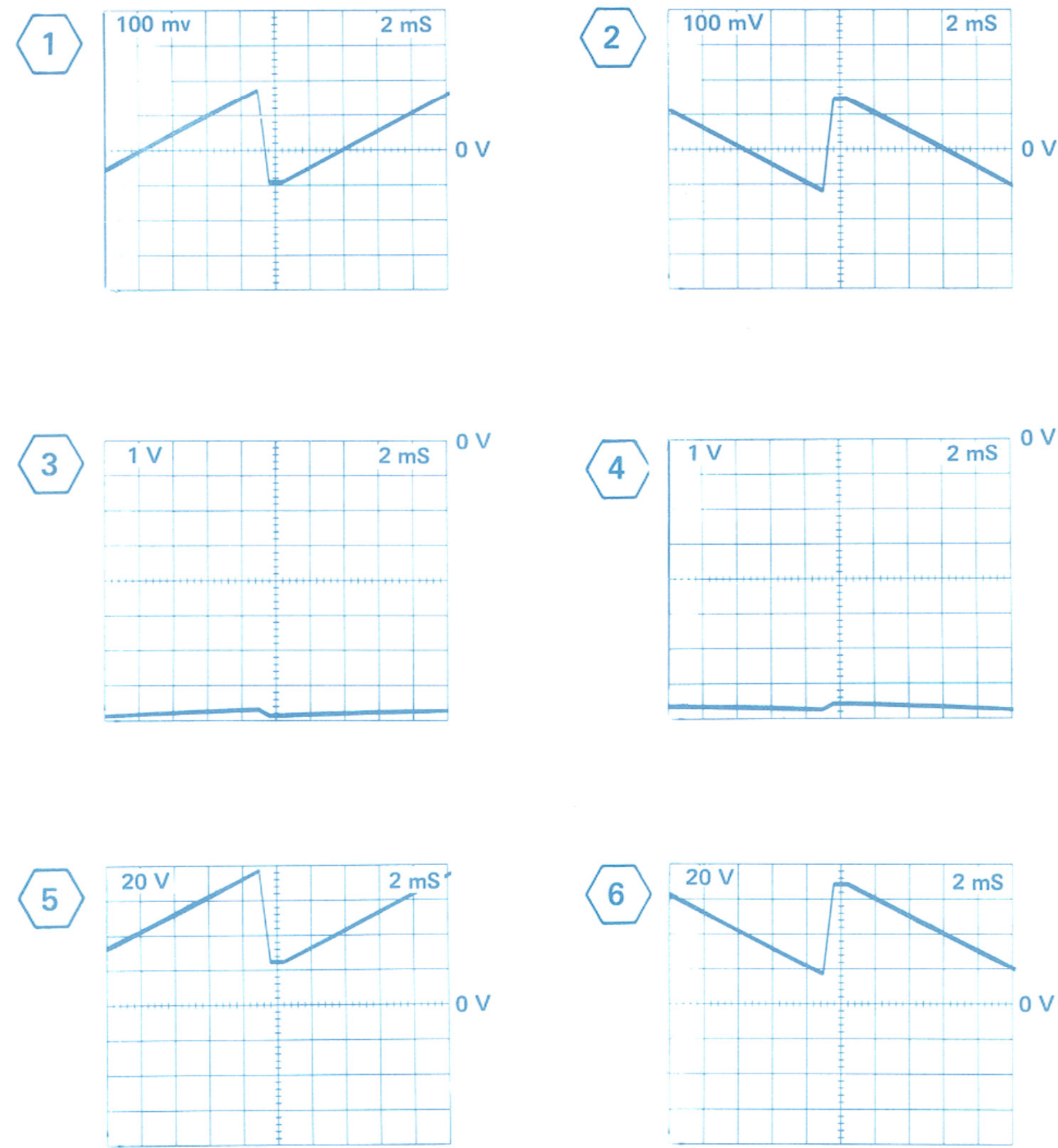


A5 VERTICAL OUTPUT BOARD

NOTE: SEE PARTS LIST FOR SEMICONDUCTOR TYPES

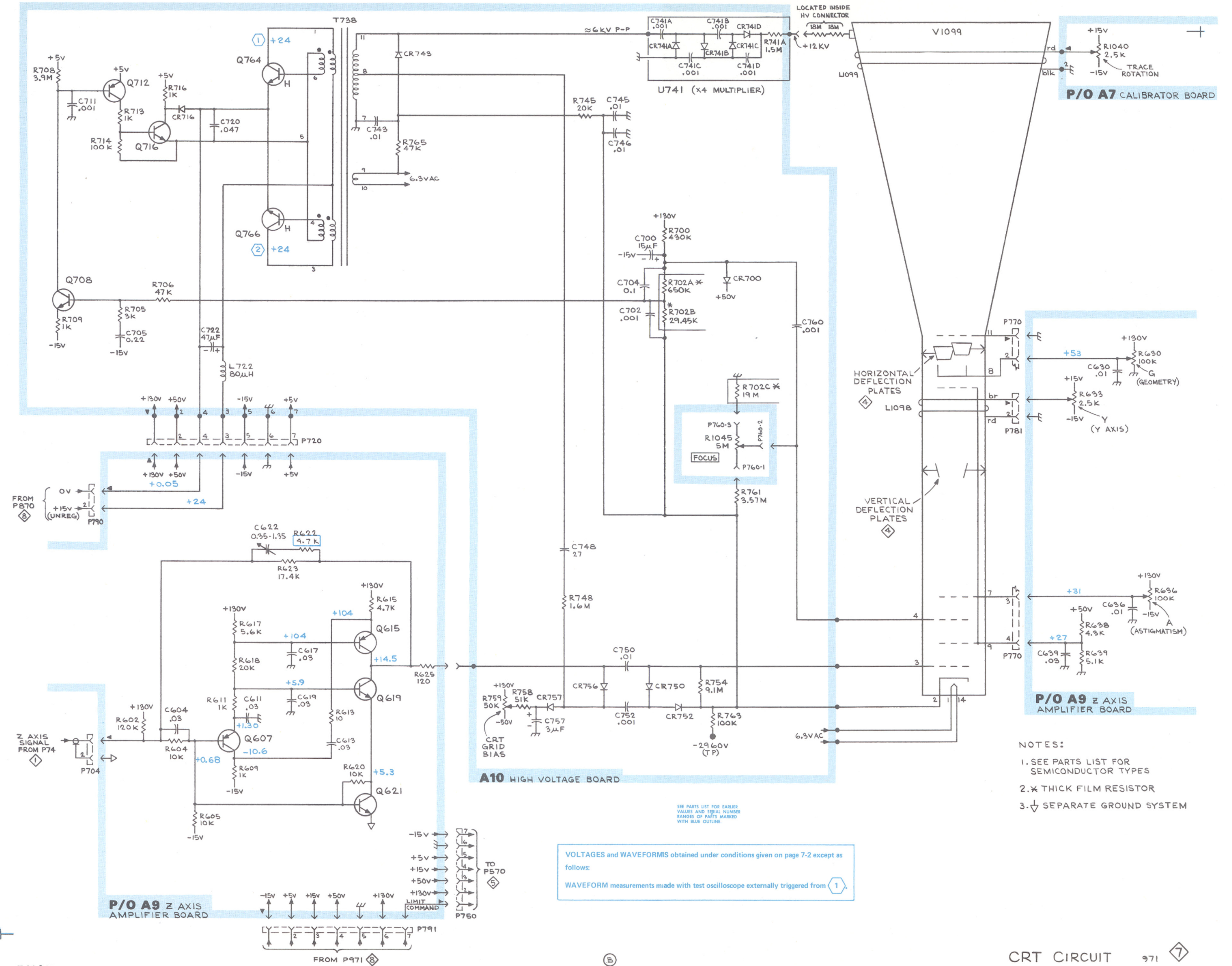
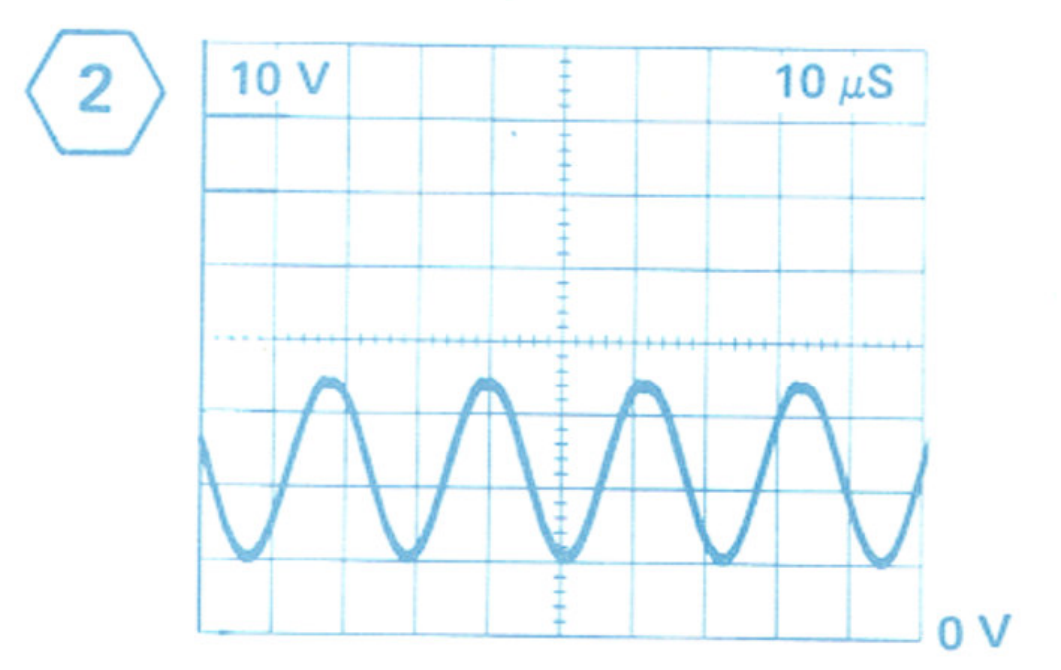
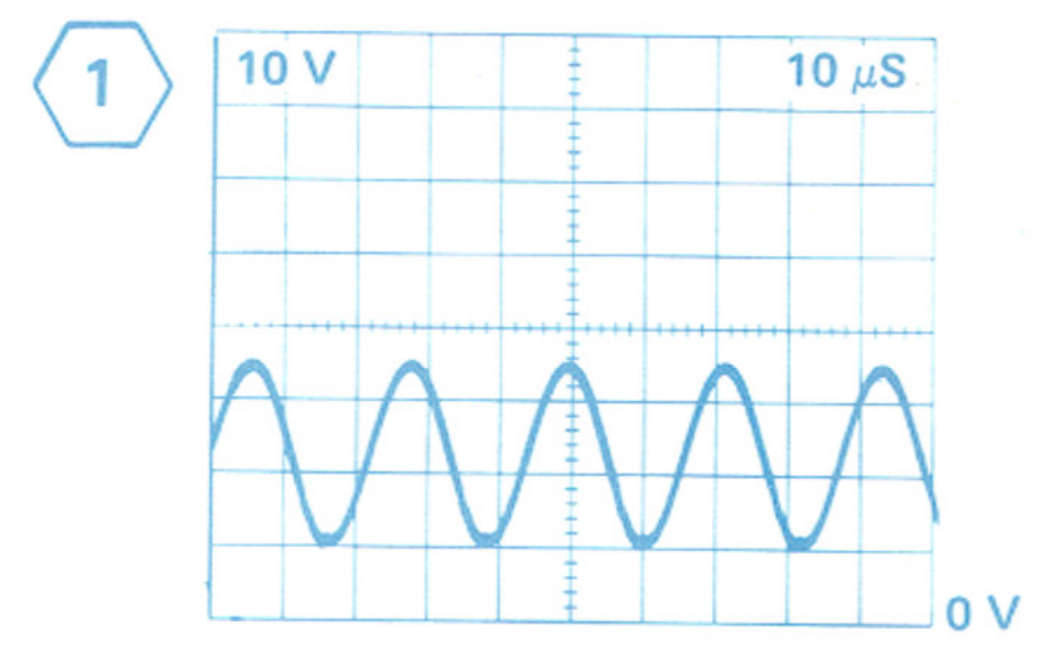
SEE PARTS LIST FOR EARLIER VALUES AND SERIAL NUMBER RANGES OF PARTS MARKED WITH BLUE OUTLINE.

VOLTAGES and WAVEFORMS obtained under conditions given on page 7-2.



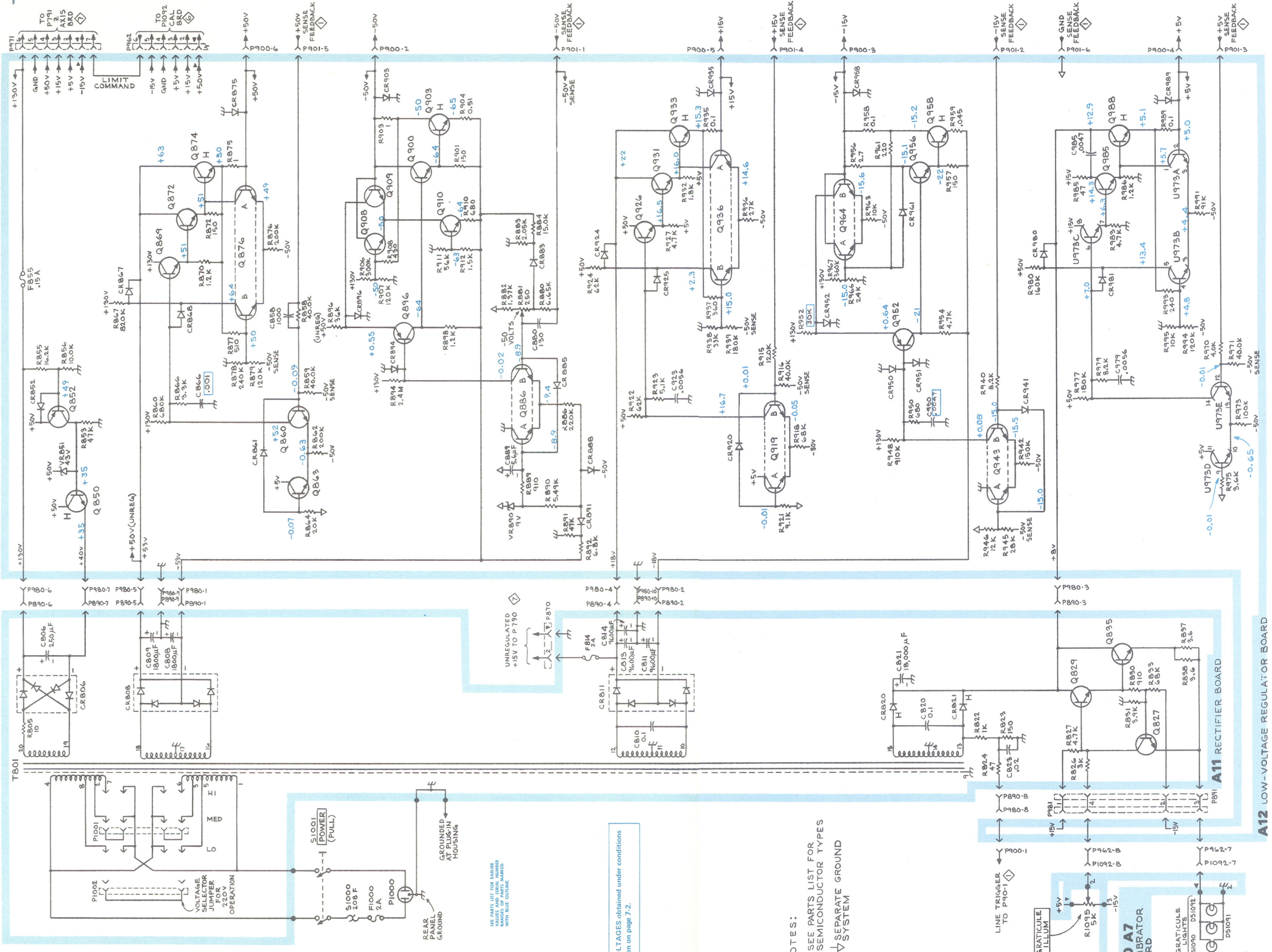
NOTE:
SEE PARTS LIST FOR
SEMICONDUCTOR TYPES

VOLTAGES and WAVEFORMS obtained under conditions given on page 7-2 except as follows:
WAVEFORM measurements made with test oscilloscope triggered externally from (1).



VOLTAGES and WAVEFORMS obtained under conditions given on page 7-2 except as follows:
 WAVEFORM measurements made with test oscilloscope externally triggered from ①.

- NOTES:
1. SEE PARTS LIST FOR SEMICONDUCTOR TYPES
 2. * THICK FILM RESISTOR
 3. ↓ SEPARATE GROUND SYSTEM



VOLTAGES obtained under conditions given on page 7-2.

NOTES:
 1. SEE PARTS LIST FOR SEMICONDUCTOR TYPES
 2. SEPARATE GROUND SYSTEM

SEE PARTS LIST FOR EARLIER REVISIONS AND PARTS MARKED WITH BLUE OUTLINE

A12 LOW-VOLTAGE REGULATOR BOARD

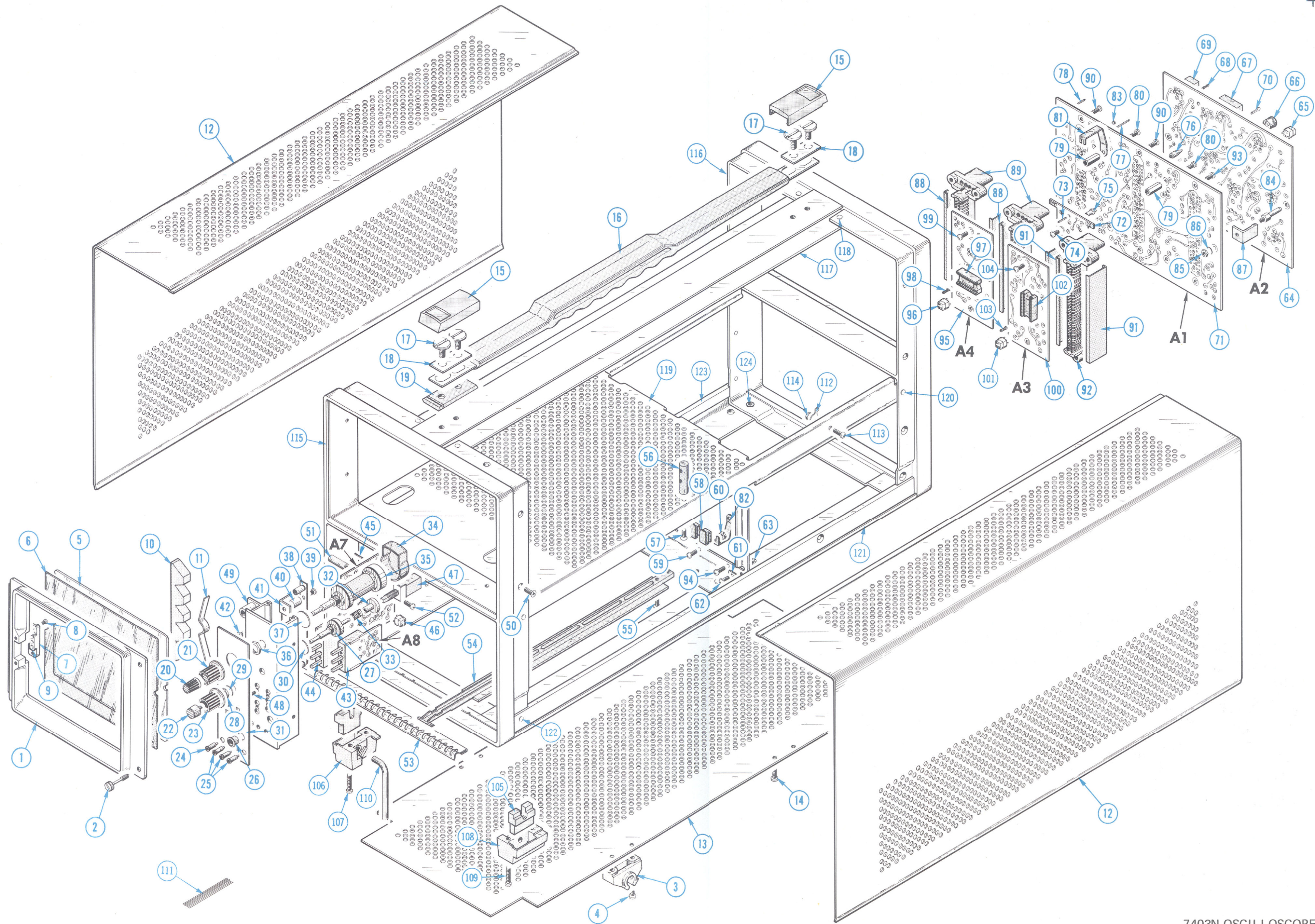
P/O A7 CALIBRATOR BOARD

GRATICULE LIGHTS
 D51090 D51092 D51091

GRATICULE ILLUM
 R1095 5K

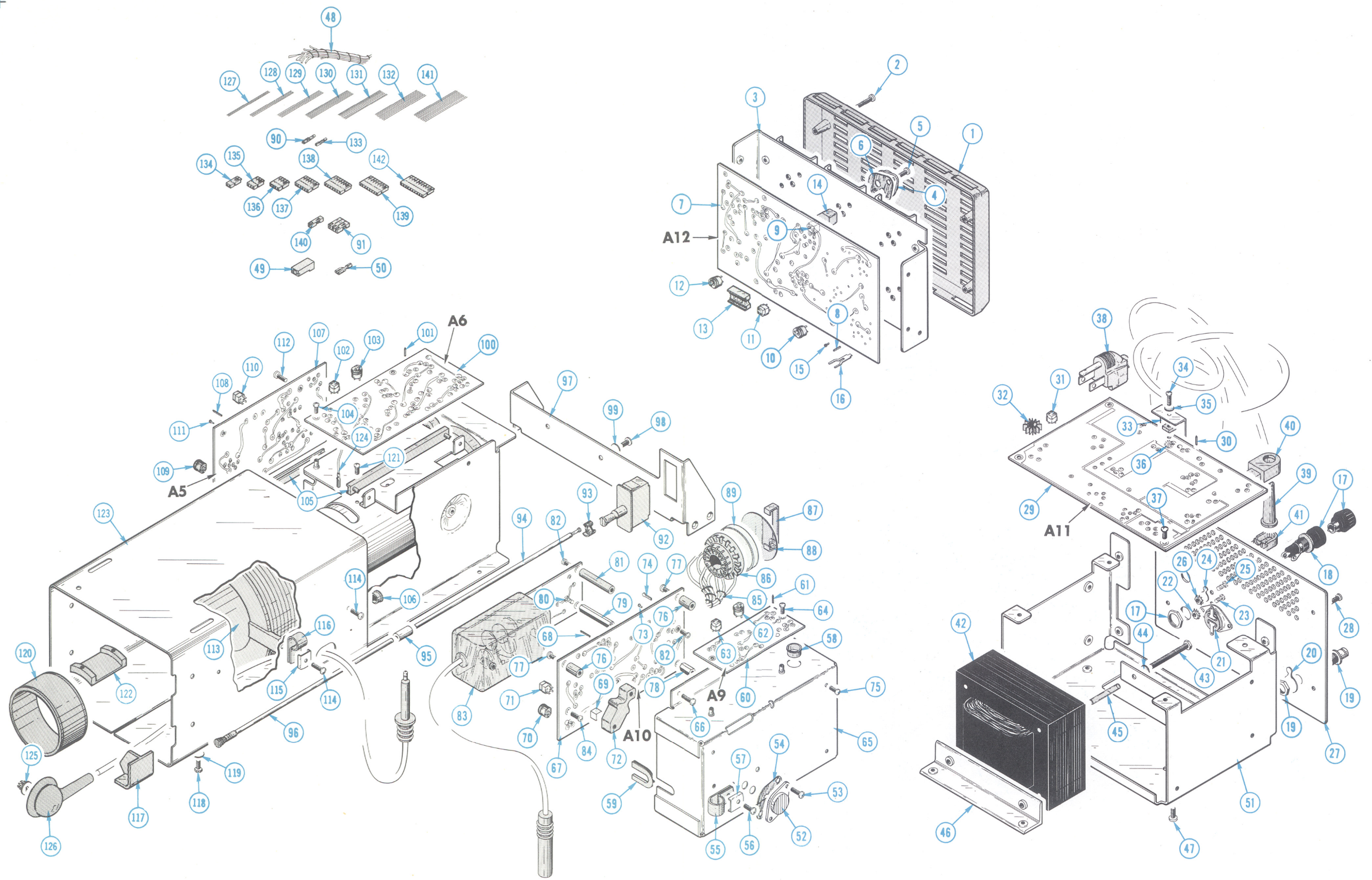
LINE TRIGGER TO P40-1

A11 RECTIFIER BOARD



7403N OSCILLOSCOPE

+



+

CARTON ASSEMBLY
(Part No. 065-0154-00)

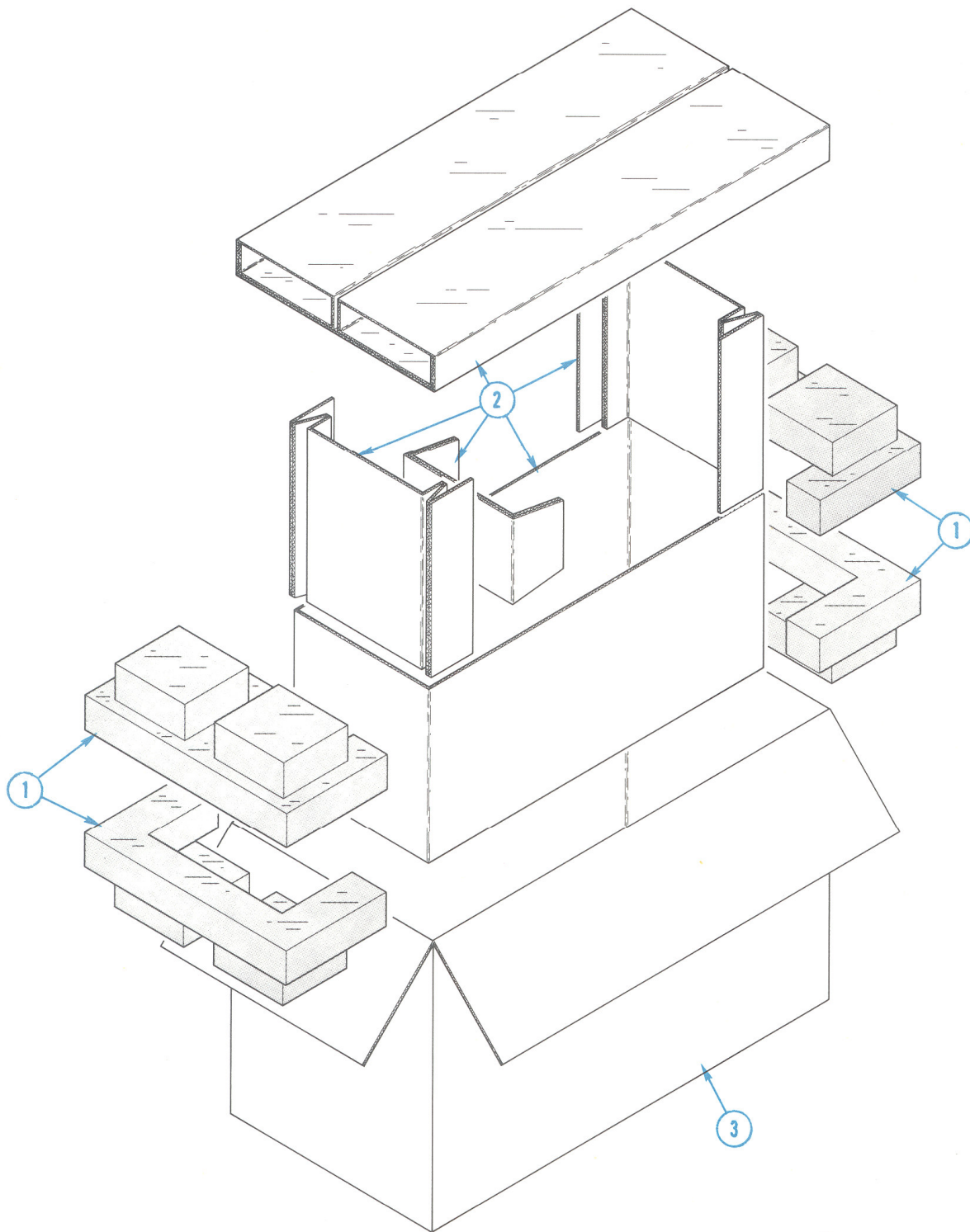


Fig. & Index No.	Tektronix Part No.	Serial/Model No. Eff	Disc	Q					Description	
				f	y	1	2	3		4
3-	065-0154-00			1						CARTON ASSEMBLY
	- - - - -			-						carton assembly includes:
-1	004-0281-00			2						ETHAFRAME
-2	004-1092-00			1						PAD SET, 5 piece
-3	004-0766-00			1						CARTON

